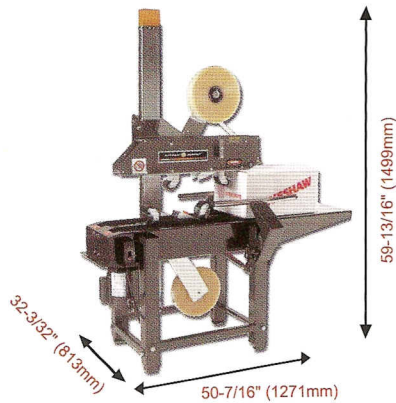


LD-7

Semi Automatic Uniform



Features:

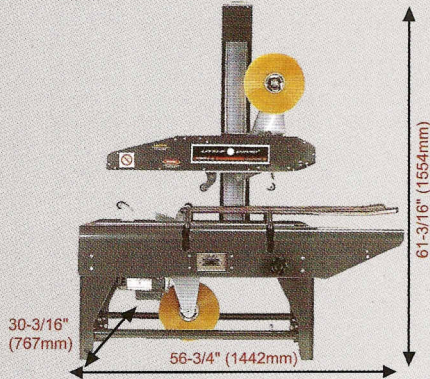
- UL listed
- Single mast design
- Compact design allows for portability
- Self centering, self tensioning belts to reduce wear

Specifications:

- Power requirements: 120 volts, single phase, 60 cycle, 5.8 Amps
- Operating Speed: continuous belt drive; 80' per minute (24.4m/min)
- Case capacity (with 2" wide CaseLocker ST™ cartridge):
 - Length: 4-1/2" (114mm) - infinite
 - Width: 4-1/2" (114mm) - 22" (559mm)
 - Height: 4-1/2" (114mm) - 24" (610mm)

Legend Uniform

Semi Automatic Uniform



Features:

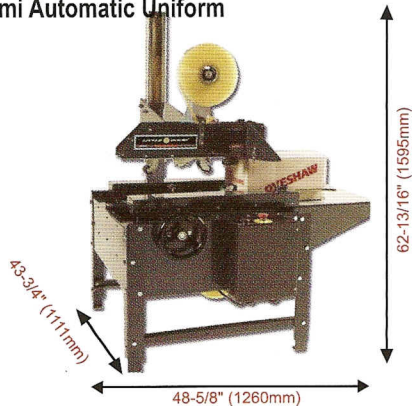
- UL listed
- Patented single mast design allows clear access
- Can be ordered for 2" or 3" wide tape
- Self centering, self tensioning belts to reduce wear
- Robust drive system for heavy cases

Specifications:

- Power requirements: 120 volts, single phase, 60 cycle, 6.5 Amps
- Operating Speed: continuous belt drive; 80' per minute (24.4m/min)
- Case capacity (with 2" wide CaseLocker ST™ cartridge):
 - Length: 4-1/2" (114mm) - infinite
 - Width: 4-1/2" (114mm) - 22" (559mm)
 - Height: 2-5/8" (64mm) - 24" (610mm)
- Weight: 230 lbs (104 kg) uncrated

LD-3SB

Semi Automatic Uniform



Features:

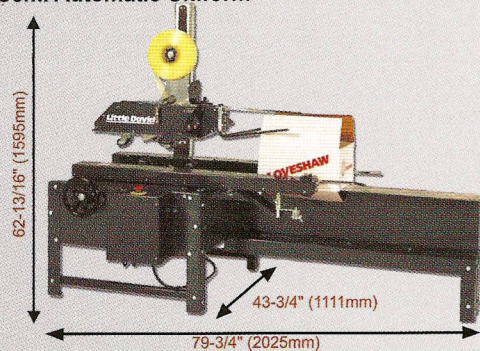
- Self-centering belts
- Single mast design allows clear access
- Uses pressure sensitive tape

Specifications:

- Power requirements: 120 volts, single phase, 60 cycle, 8.0 Amps
- Operating Speed: continuous belt drive; 72' per minute (18.3m/min)
- Case capacity (with 2" wide CaseLocker ST™ cartridge):
 - Length: 4-1/2" (114mm) - infinite
 - Width: 4" (102mm) - 20" (508mm)
 - Height: 4-1/2" (114mm) - 24" (610mm)

SP-304

Semi Automatic Uniform



Features:

- Ergonomic design for operator alleviates twisting motion
- Single mast design allows clear access
- Self centering belts
- Top and bottom major flap folding
- Top squeezer, top 3 flap folder

Specifications:

- Power requirements: 120 volts, single phase, 60 cycle, 8.0 Amps
- Operating Speed: continuous belt drive; 67' per minute (18.3m/min)
- Case capacity (with 2" wide CaseLocker ST™ cartridge):
 - Length: 6" (152mm) - 24" (610mm)
 - Width: 4-1/2" (114mm) - 20" (508mm)
 - Height: 4-1/2" (114mm) - 24" (610mm)