



RIGHT STUFF EQUIPMENT

STANDARD ROTARY PLATE STYLE ACCUMULATION TABLE

Right Stuff Equipment Standard Rotary Accumulation Tables are a cost efficient way to collect products at the end of a production line, for pack off, inspection, or accumulation without impacting upstream production.

Ideal for the accumulation of:

- Glass bottles and jars
- Plastic bottles
- Aluminum cans and bottles
- Plastic Tubs



STAINLESS STEEL
CONSTRUCTION

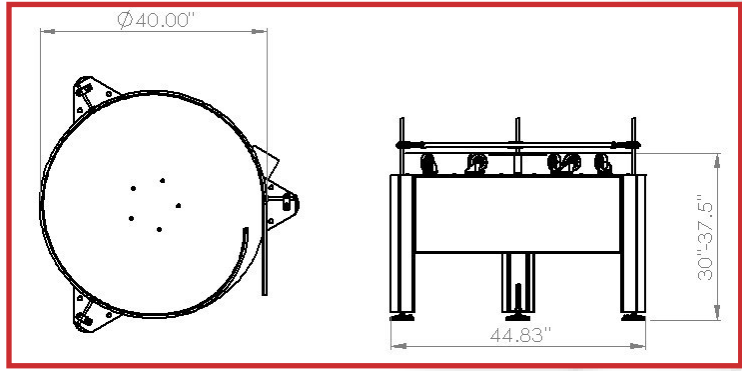
Made in the USA.
Denver, Colorado

TABLE MODELS

S-AT-36	36"
S-AT-44	44"

TECHNICAL SPECIFICATIONS

- 120/240V Single phase input power
- 12A max current draw (Voltage dependant)
- NEMA 1/ IP40 DC Motor Controller
- IP 40 rated 1/7 HP rated gearmotor
- Rated for dry food environments
- Adjustable table speed (0-26 RPM)
- 150LB max table capacity



FEATURES

- Stainless Steel bolted frame design
- 12 GA Stainless Steel Top Plate
- Clockwise / counter-clockwise table rotation
- Standard adjustable line heights from 30" – 37.5" from floor
- Adjustable machine feet for leveling and anchoring
- 1 Year Standard Warranty

OPTIONS

- Adjustable height stainless steel locking casters
- Double guide rails for tall products

RIGHT STUFF EQUIPMENT

1605 E. 69TH AVENUE
DENVER, CO 80229

PHONE: 303.327.4704
FAX: 303.327.4708



WWW.RIGHTSTUFFEQUIPMENT.COM

